



# 50105ALG



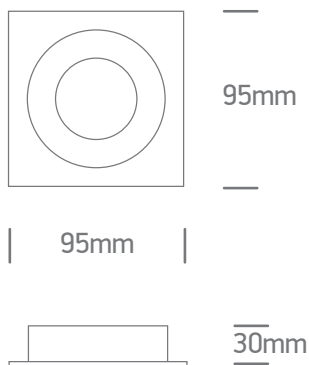
## Product Description

Recessed aluminium spot with GU10 lampholder. Available in aluminium and white colour.

Complies with standard EN60598-1 and any other specific standards.



## Dimensions



Order Code	Lampholder	Finish
50105ALG/AL	GU10	Aluminium
50105ALG/W	GU10	White



## Technical Data

**Input Voltage:** 100-240V  
**Input Frequency:** 50/60Hz  
**Watts:** 50W  
**Number of lamps:** 1  
**IP rate:** IP20

**Construction:** Aluminium  
**Diffuser:**  
**Dimmable:** Depending on lamps  
**Warranty:** 2 years

