



CorePro LEDspot LV

CorePro LED spot ND 5-35W MR16 827 36D

CorePro LEDspots are a perfect fit for spot lighting and deliver warm halogen-like light. They are compatible with most existing fixtures with MR16 GU5.3 holders and are designed as a retrofit replacement for halogen or incandescent spots. CorePro LEDspots deliver huge energy savings and minimize maintenance cost.

Product data

| General Information | |
|---------------------------------------|---------------------|
| Cap-Base | GU5.3 [GU5.3] |
| EU RoHS compliant | Yes |
| Nominal Lifetime (Nom) | 15000 h |
| Switching Cycle | 50000X |
| Technical Type | 5-35W |
| Light Technical | |
| Color Code | 827 [CCT of 2700K] |
| Beam Angle (Nom) | 36 ° |
| Luminous Flux (Nom) | 345 lm |
| Luminous Intensity (Nom) | 650 cd |
| Color Designation | Warm White (WW) |
| Correlated Color Temperature (Nom) | 2700 K |
| Luminous Efficacy (rated) (Nom) | 69.00 lm/W |
| Color Consistency | <6 |
| Color Rendering Index (Nom) | 80 |
| LLMF At End Of Nominal Lifetime (Nom) | 70 % |
| Luminous Flux in 90° Cone (Rated) | 345 lm |
| Operating and Electrical | |
| Input Frequency | - Hz |
| Power (Nom) | 5 W |

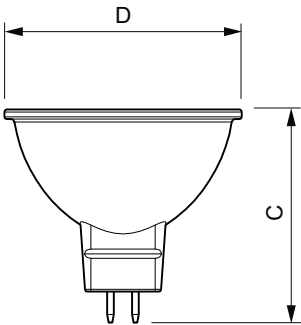
| Lamp Current (Nom) | 575 mA |
|---------------------------------|--|
| Wattage Equivalent | 35 W |
| Starting Time (Nom) | 0.5 s |
| Warm Up Time to 60% Light (Nom) | 0.5 s |
| Power Factor (Nom) | 0.6 |
| Voltage (Nom) | 12 V |
| Temperature | |
| T-Case Maximum (Nom) | 82 °C |
| Controls and Dimming | |
| Dimmable | No |
| Approval and Application | |
| Energy Efficiency Label (EEL) | A+ |
| Suitable For Accent Lighting | Yes |
| Energy Consumption kWh/1000 h | 6 kWh |
| Product Data | |
| Full product code | 871869671063000 |
| Order product name | CorePro LED spot ND 5-35W MR16 827 36D |
| EAN/UPC - Product | 8718696710630 |
| Order code | 929001344302 |

CorePro LEDspot LV

| | |
|---------------------------------|--------------|
| Numerator - Quantity Per Pack | 1 |
| Numerator - Packs per outer box | 10 |
| Material Nr. (12NC) | 929001344302 |

| | |
|--------------------|----------|
| Net Weight (Piece) | 0.045 kg |
|--------------------|----------|

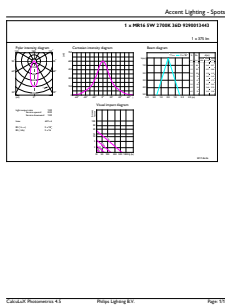
Dimensional drawing



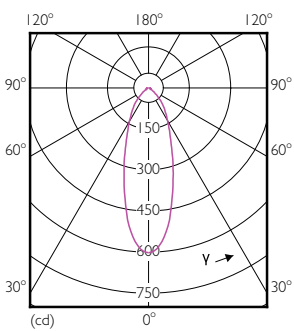
MR16 12V ACV 4.7-35W 390lm 36D 2700K ND

| Product | D | C |
|--|-------|-------|
| CorePro LED spot ND 5-35W MR16 827 36D | 51 mm | 46 mm |

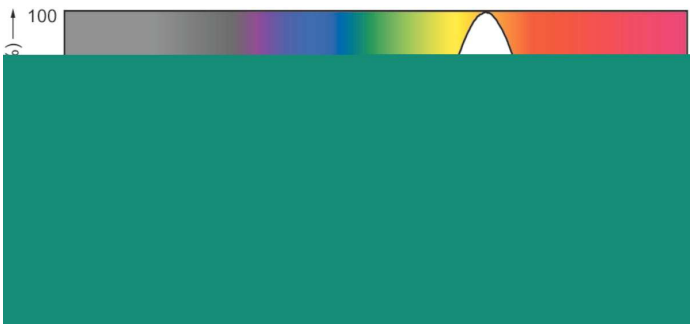
Photometric data



CorePro LEDspotLV 35W GU5-3 827 36D

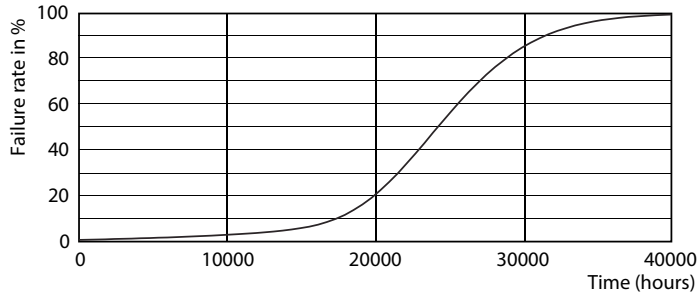


CorePro LEDspotLV 35W GU5-3 827 36D

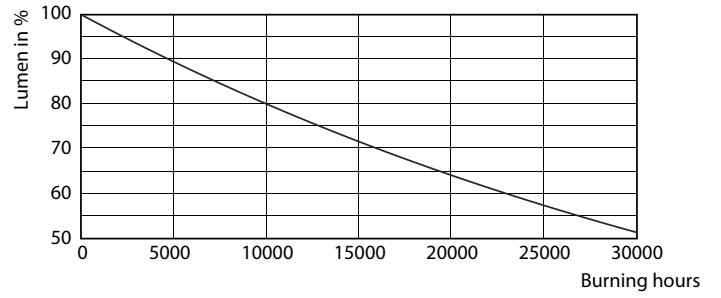


CorePro LEDspot LV

Lifetime



CorePro LEDspotLV 20W GU5-3 827 36D



CorePro LEDspotLV 20W GU5-3 827 36D

